

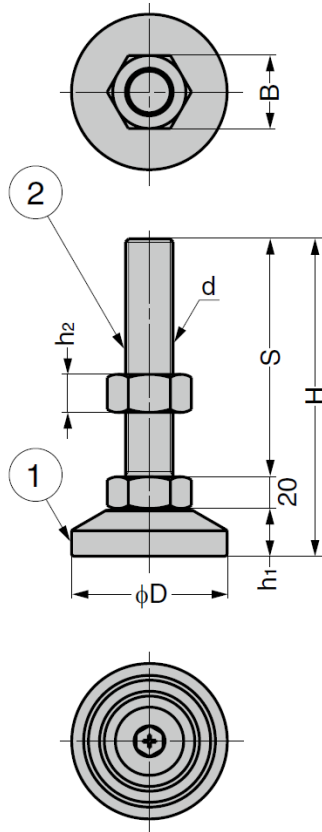
GSDY-MS Heavy Duty Levelling Glide

Features

- Levelling glide subject to galling preventive treatment
- Different bolt lengths, bolt diameters (M16, M20 and M24) and steel models also available on made-to-order basis (MOQ 10 pcs)

Sold Separately

- Installation plate **GSDY-L** (for M42 only)



| No. | Part Name | Material | Finish |
|-----|---------------|--------------------------|----------|
| ① | Body | Stainless Steel (SUS304) | Polished |
| ② | Threaded Bolt | | |

| Part No. | d | Ø D | H | h ₁ | h ₂ | S | B | Load Capacity (per piece) | |
|----------------|-----|-----|-----|----------------|----------------|-----|----|---------------------------|----------|
| GSDY-MS-30-150 | M30 | 98 | 200 | 30 | 24 | 150 | 46 | 24,500 N | 2,500 kg |
| GSDY-MS-30-200 | | | 250 | | | 200 | | | |
| GSDY-MS-42-150 | M42 | 127 | 203 | 33 | 32 | 150 | 60 | 29,400 N | 3,000 kg |
| GSDY-MS-42-200 | | | 253 | | | 200 | | | |
| GSDY-MS-42-250 | | | 303 | | | 250 | | | |
| GSDY-MS-42-300 | | | 353 | | | 300 | | | |

GSDY-L Installation Plate

Features

- For GSDY-TRSB, GSDY-TRAS, GSDY-MS (for M42)
- Metric screw thread and trapezoidal screw thread available
- Steel models (nickel plating) also available on request (made-to-order, MOQ 10 pcs)

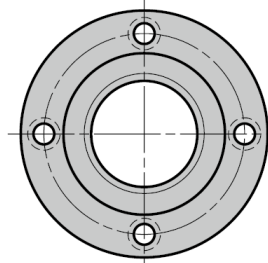
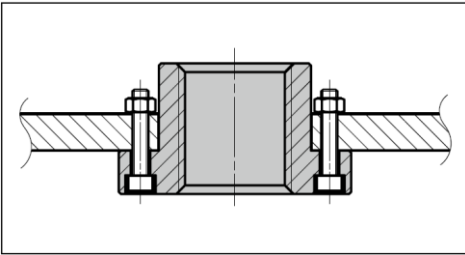
Material

- Brass, nickel finish

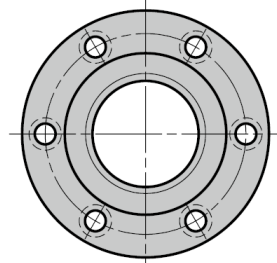
Recommended Screws

- Hexagon socket head cap screw M8

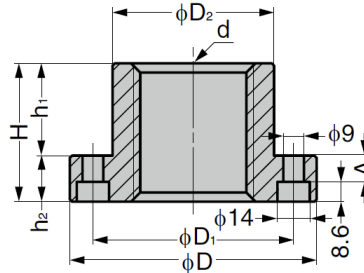
Installation



GSDY-LMB-42
GSDY-LTB-42



GSDY-LMB-52
GSDY-LMB-60
GSDY-LTB-52
GSDY-LTB-60



| Part No. | d | D | D ₁ | D ₂ | H | h ₁ | h ₂ | A |
|--------------------|-----------------------------------|-----|----------------|----------------|----|----------------|----------------|------|
| GSDY-LMB-42 | Metric Screw Thread (M42) | 97 | 77 | 60 | 40 | 22 | 18 | 9.4 |
| GSDY-LMB-52 | Metric Screw Thread (M52) | 107 | 87 | 70 | 50 | 30 | 20 | 11.4 |
| GSDY-LMB-60 | Metric Screw Thread (M60) | 117 | 97 | 80 | 60 | 40 | | |
| GSDY-LTB-42 | Trapezoidal Screw Thread (Tr42×6) | 97 | 77 | 60 | 50 | 32 | 18 | 9.4 |
| GSDY-LTB-52 | Trapezoidal Screw Thread (Tr52×7) | 107 | 87 | 70 | 60 | 40 | 20 | 11.4 |
| GSDY-LTB-60 | Trapezoidal Screw Thread (Tr60×8) | 117 | 97 | 80 | 70 | 50 | | |